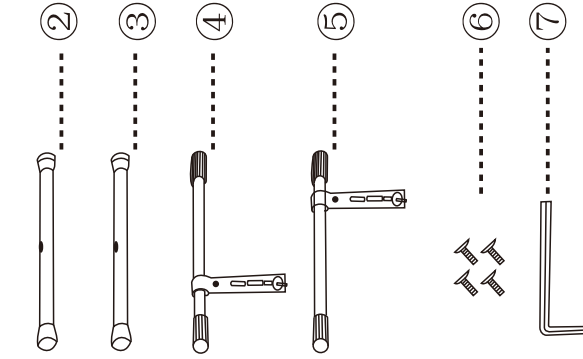
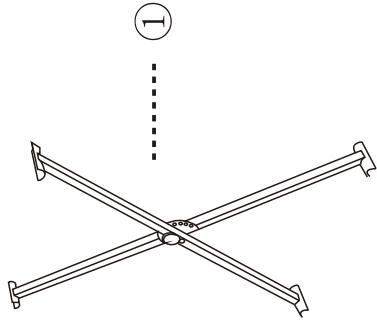
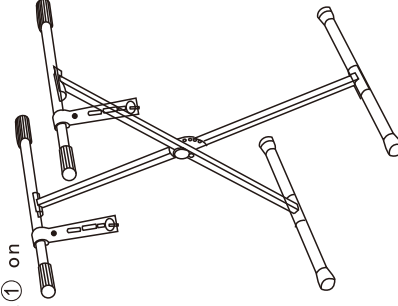


# X Keyboard bracket installation diagram

## accessories list:



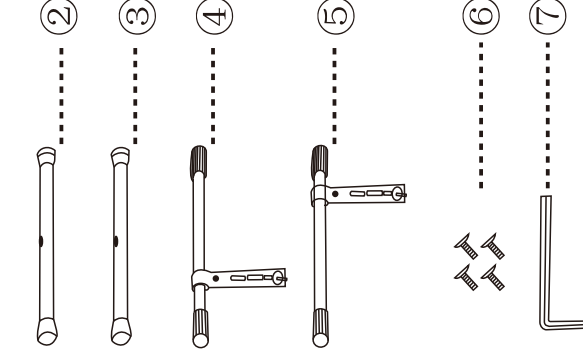
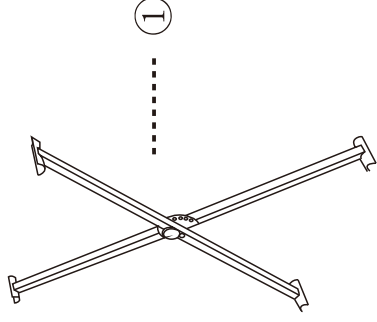
1 , respectively, put the bracket foot ② and ③ in the position of the direction shown in the figure , using the tool ⑦, tighten the screws ⑥ on the X bracket ①.  
2 , respectively, put piano upper rack beam ④ and ⑤ in the direction shown by picture, with tools ⑦, fastening screws ⑥ X Bracket ① on



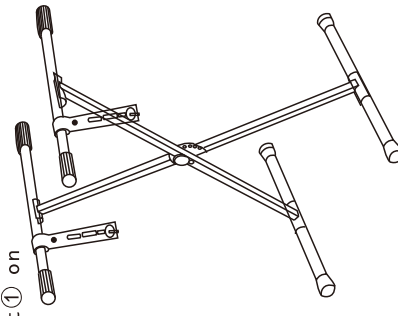
assembled picture

# X Keyboard bracket installation diagram

## accessories list:



1 , respectively, put the bracket foot ② and ③ in the position of the direction shown in the figure , using the tool ⑦, tighten the screws ⑥ on the X bracket ①.  
2 , respectively, put piano upper rack beam ④ and ⑤ in the direction shown by picture, with tools ⑦, fastening screws ⑥ X Bracket ① on



assembled picture